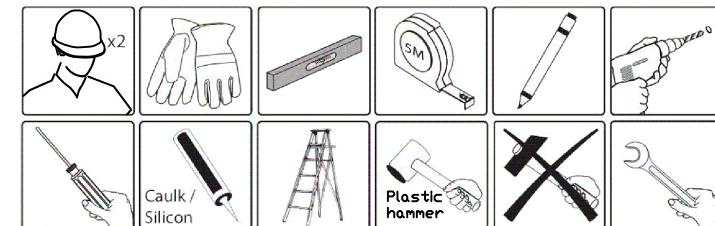
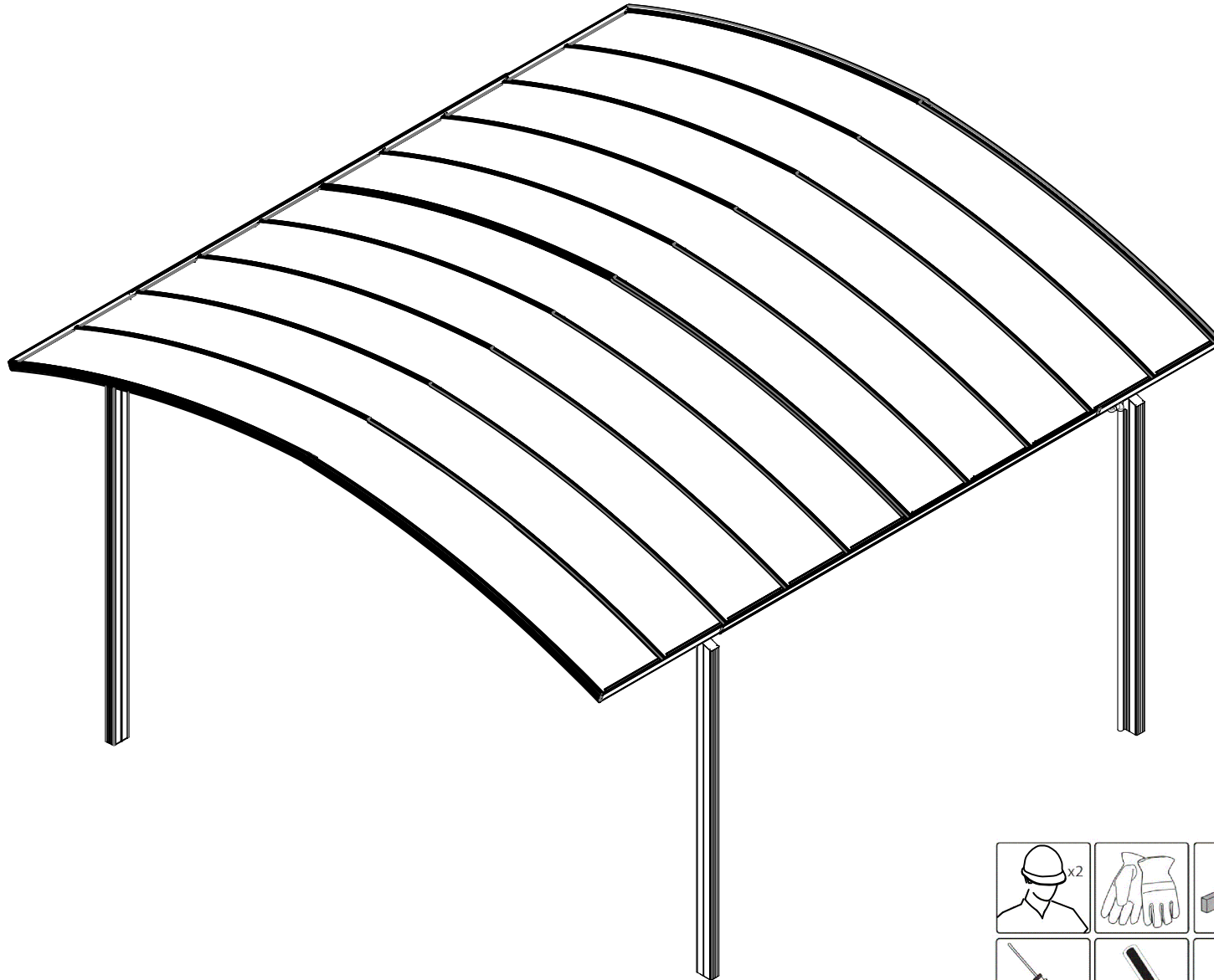
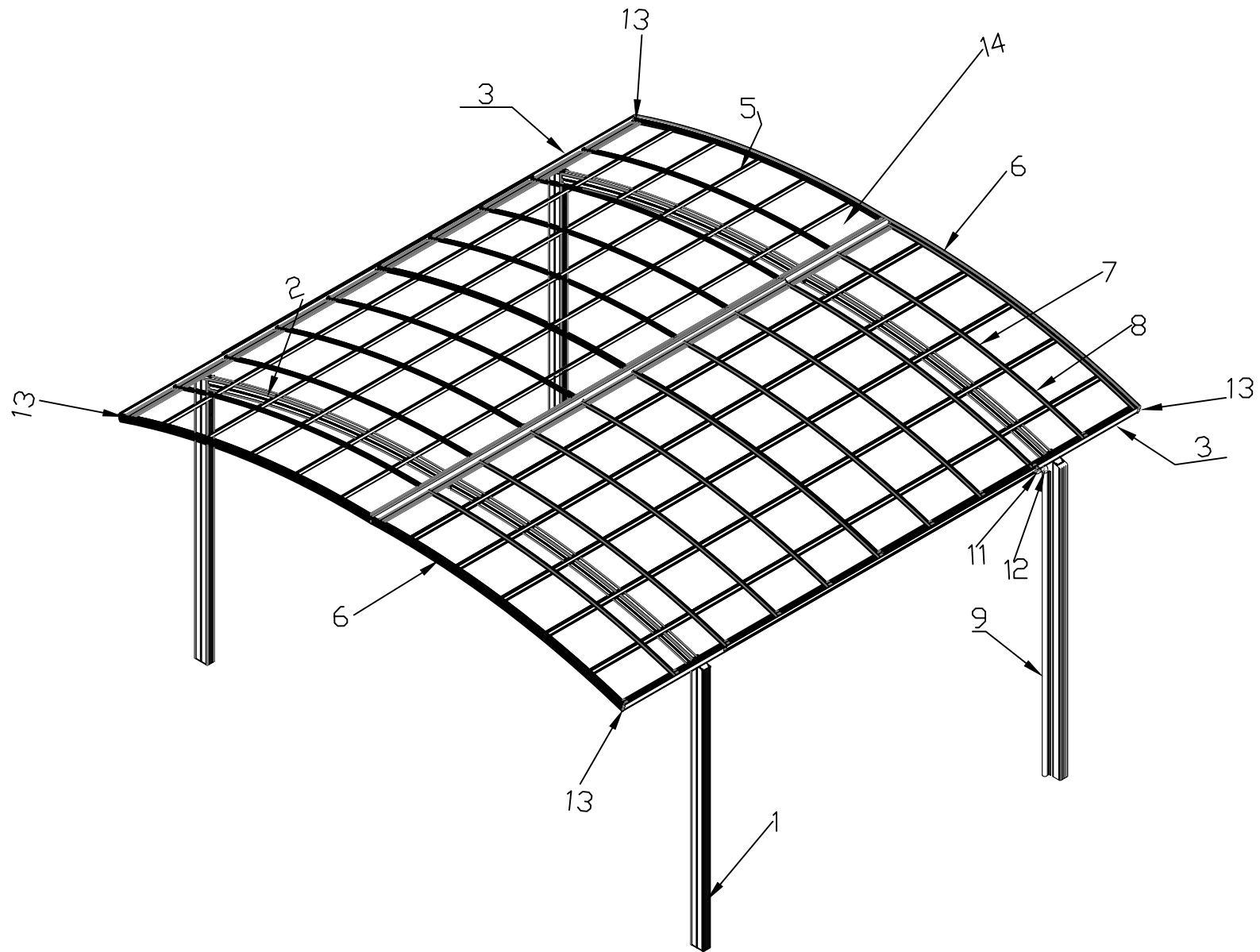









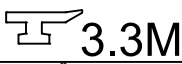
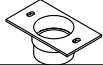

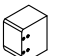


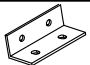







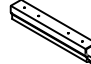






# Carports Installation Notes

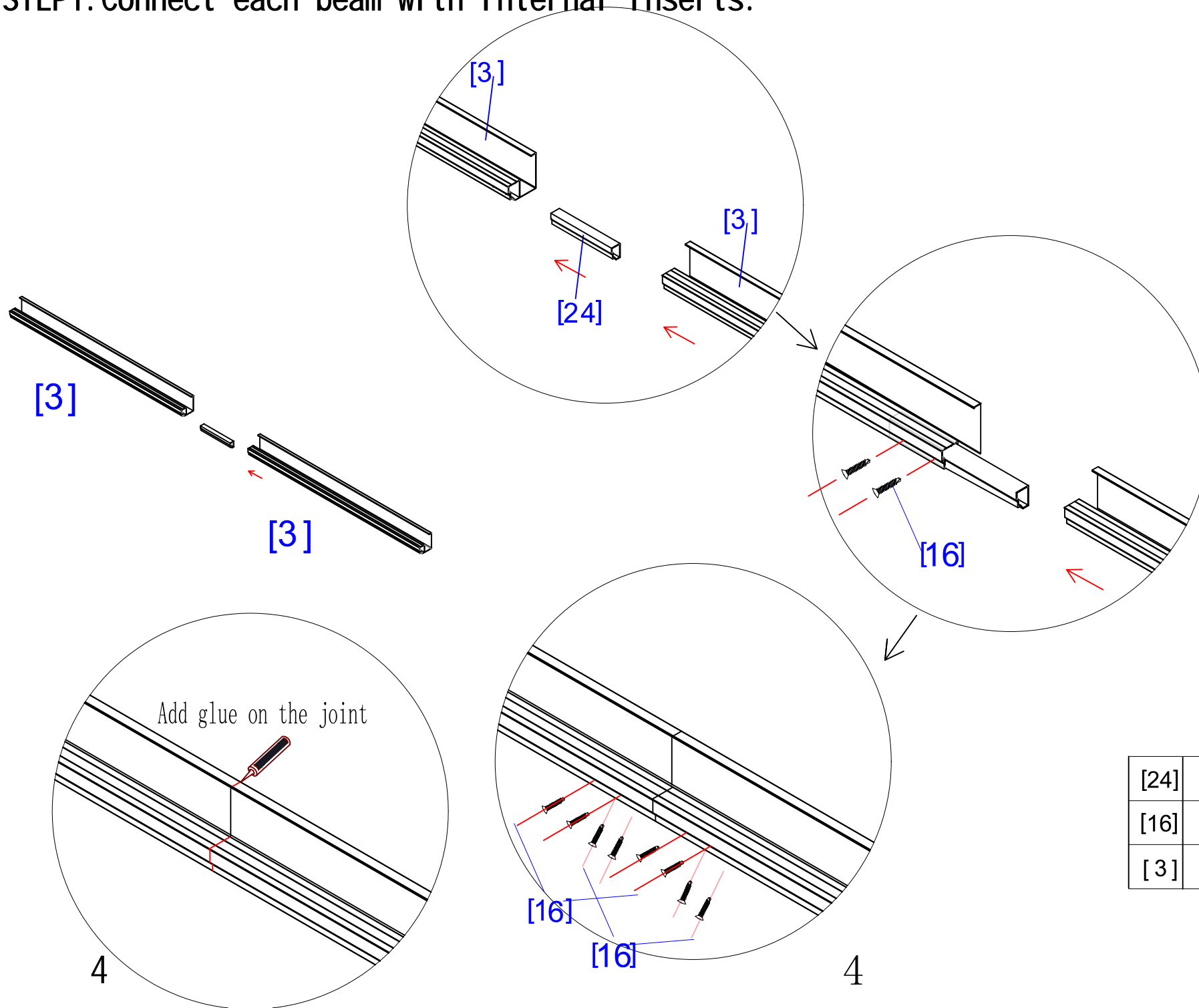







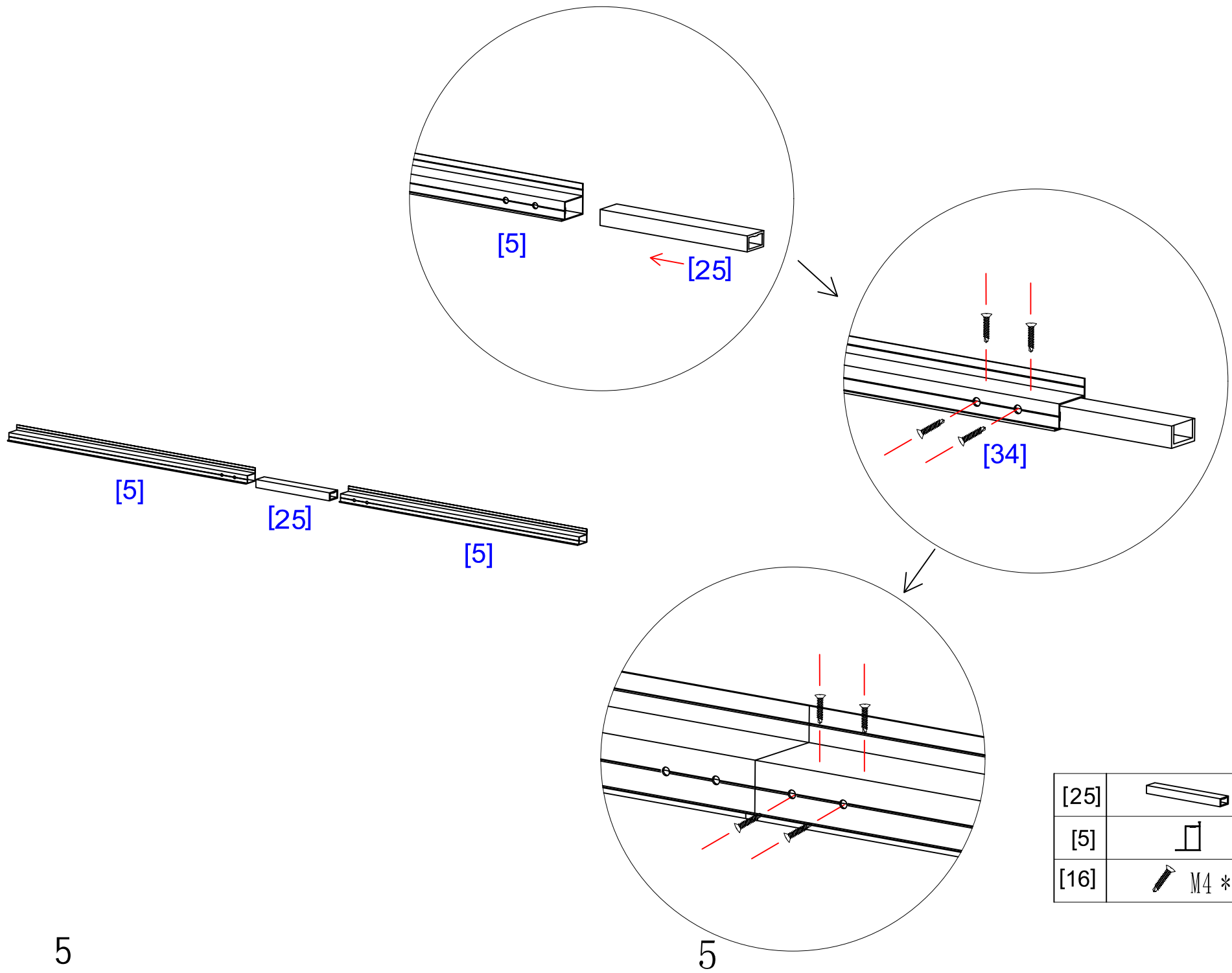
Item	Drawings	Qty	
[1]		4	Post
[2]		4	Bigger support tube
[3]		4	Back tube
[4]	 M10*112	8	Bolt and nuts
[5]		22	Small support
[6]		4	Side tube
[7]		18	Bottom cover strip
[8]		22	Top cover strip
[9]		2	Drainage tube
[10]	 3.3M	17	Rubber
[11]		2	Straight connector
[12]		4	Conner connector
[13]		4	Cap for Back tube
[14]	PC sheet	10	PC sheet




Item	Drawings	Qty	
[15]		20	channel for inserting PC sheet
[16]	 M4*16	523	Screw
[17]		4	Reinforcement parts
[18]	 M10*25	24	hex Screw
[19]	 M10*150	24	Expansion bolt
[20]		4	Post base plate
[21]	 	2	Internal inserts
[22]	 M5*12	170	Screw
[23]	 M5*32	140	Screw
[24]	 	2	Internal inserts
[25]	 	11	Internal inserts
[26]		2	Internal inserts

STEP1: Connect each beam with internal inserts.

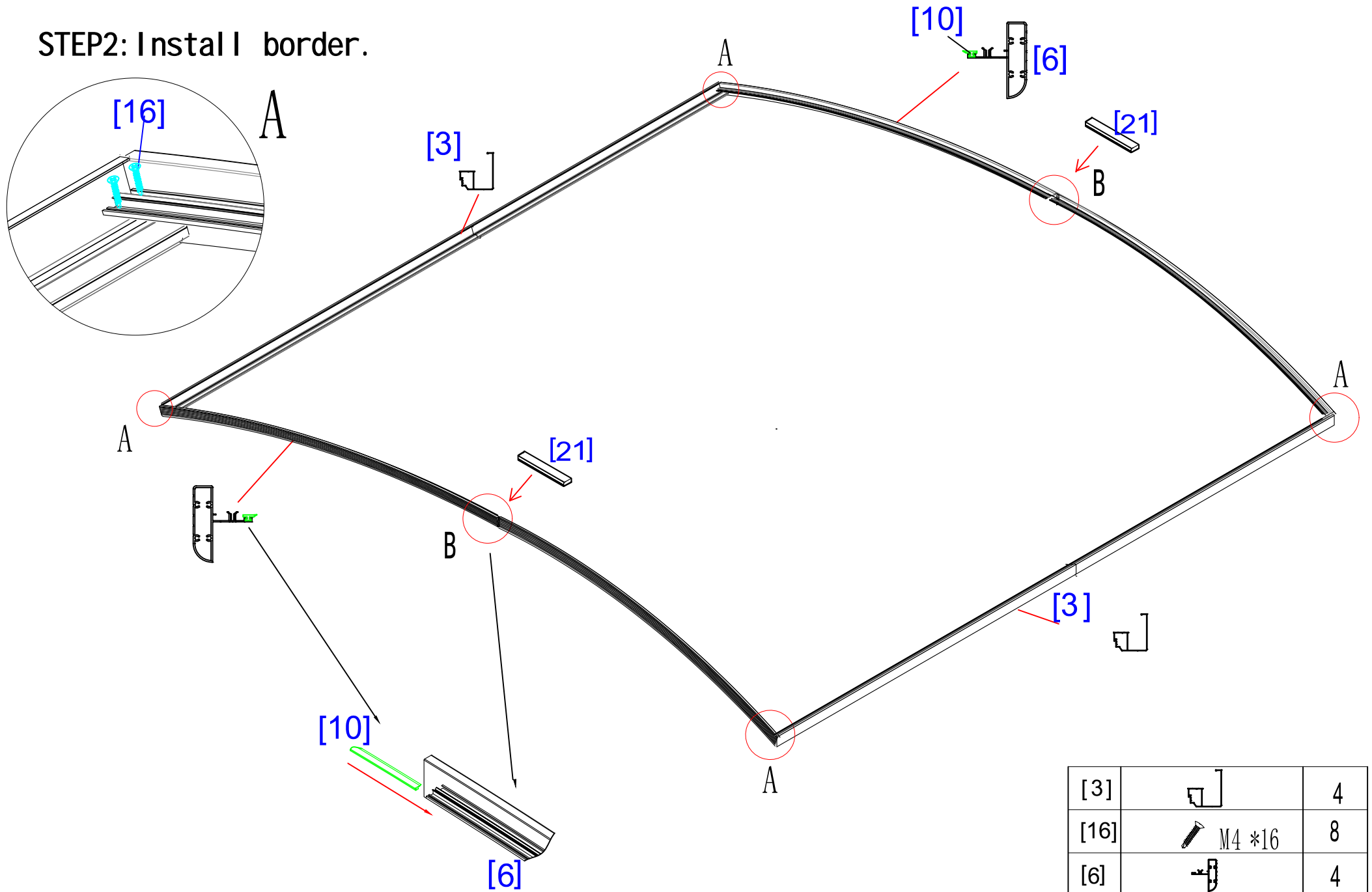


[24]		2
[16]	 M4 *16	16
[3]		4



[25]		11
[5]		22
[16]	 M4 *16	88

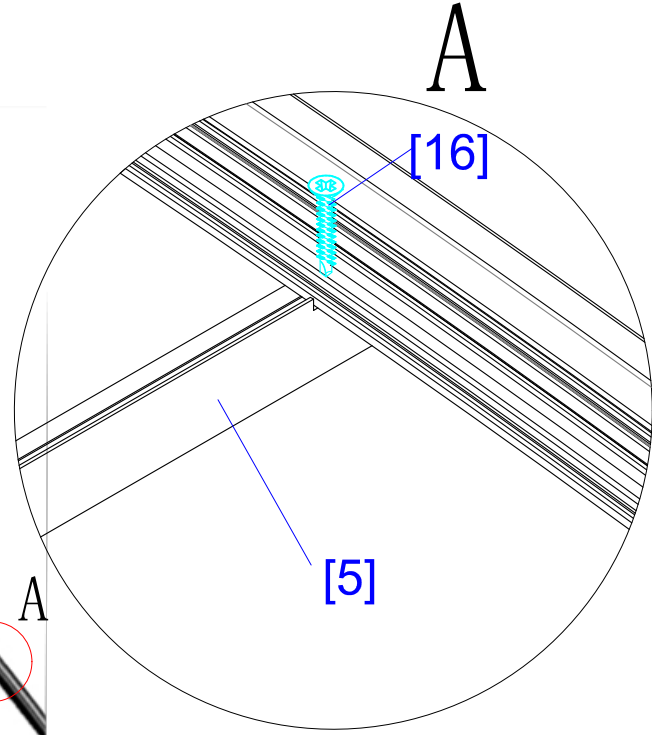
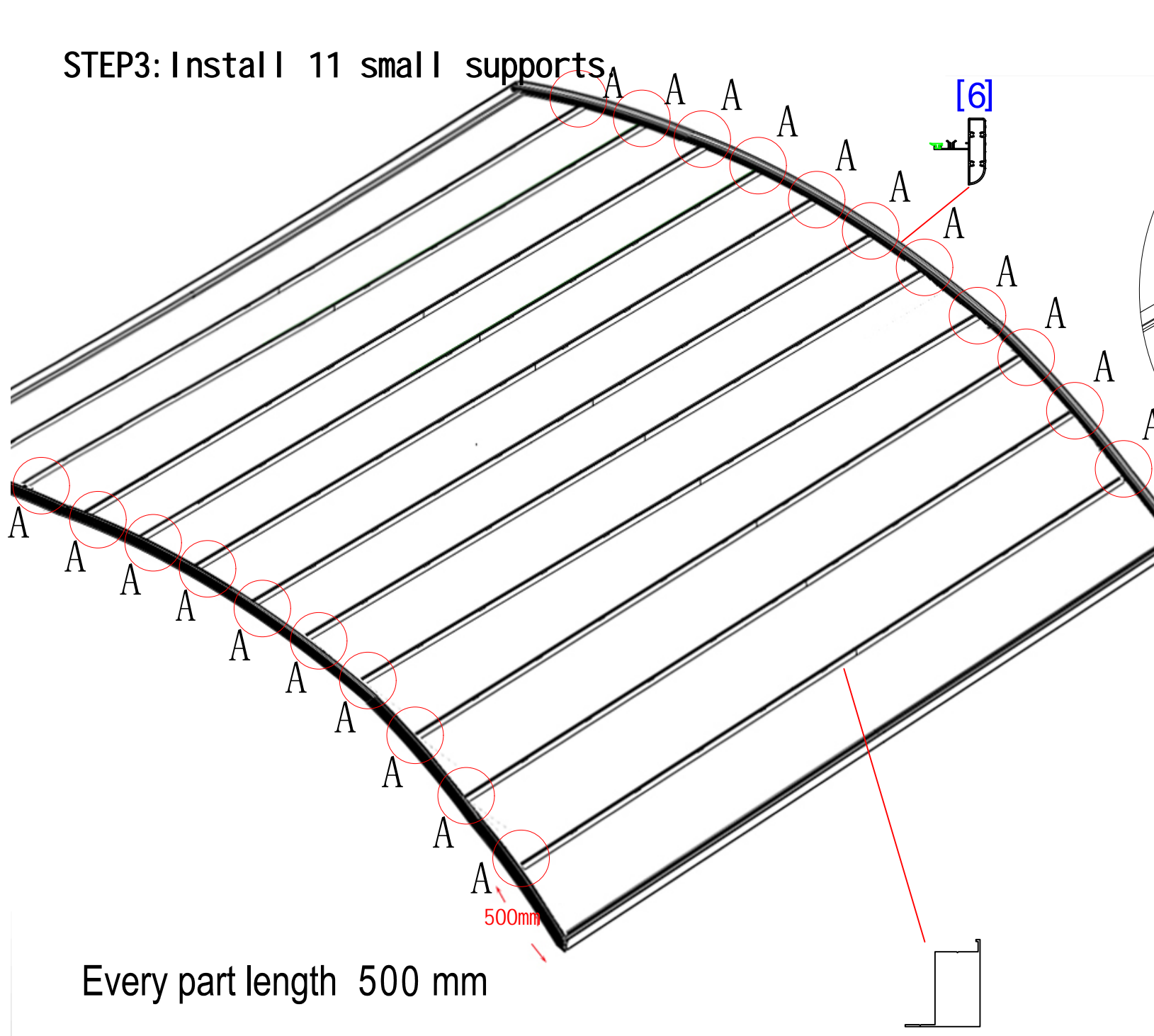
STEP2: Install I border.



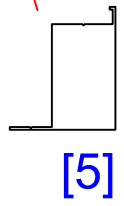
[10] has been inserted already

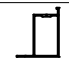

[3]		4
[16]	M4 * 16	8
[6]		4
[10]		X
[21]		2

# STEP3: Install 11 small supports

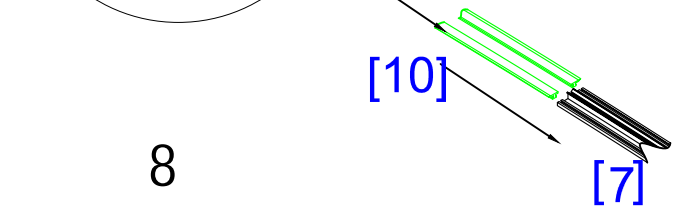
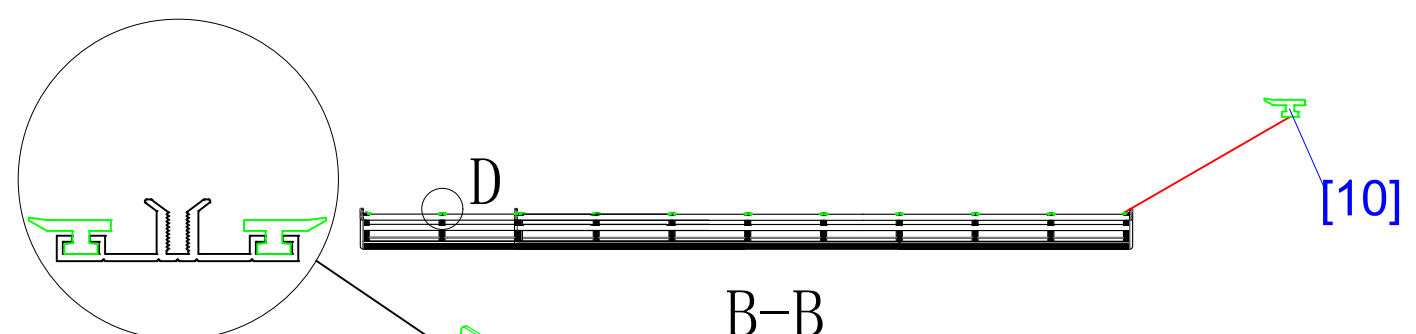
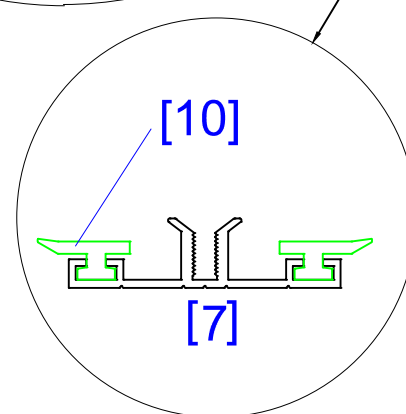
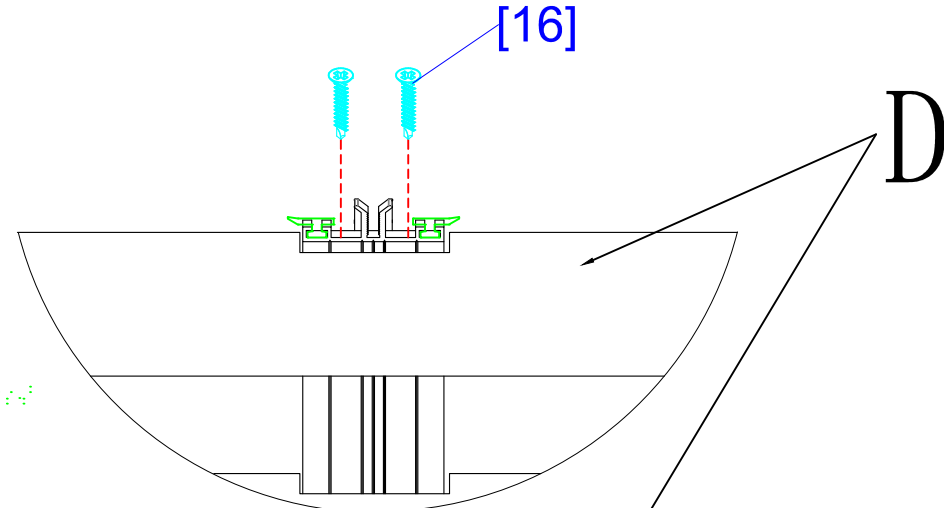
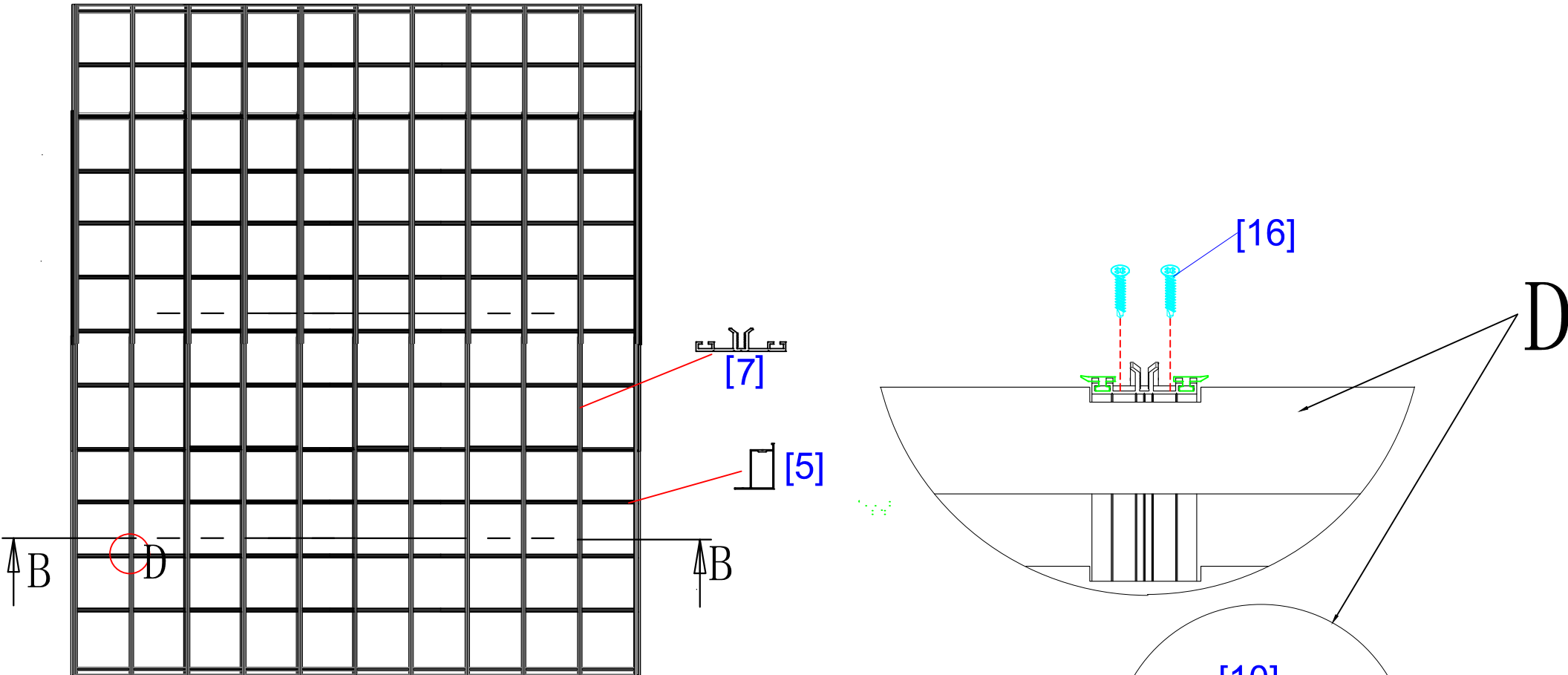


Every part length 500 mm



[5]		22
[16]	 M4 *16	22

# STEP4: Install 9 bottom cover strips.

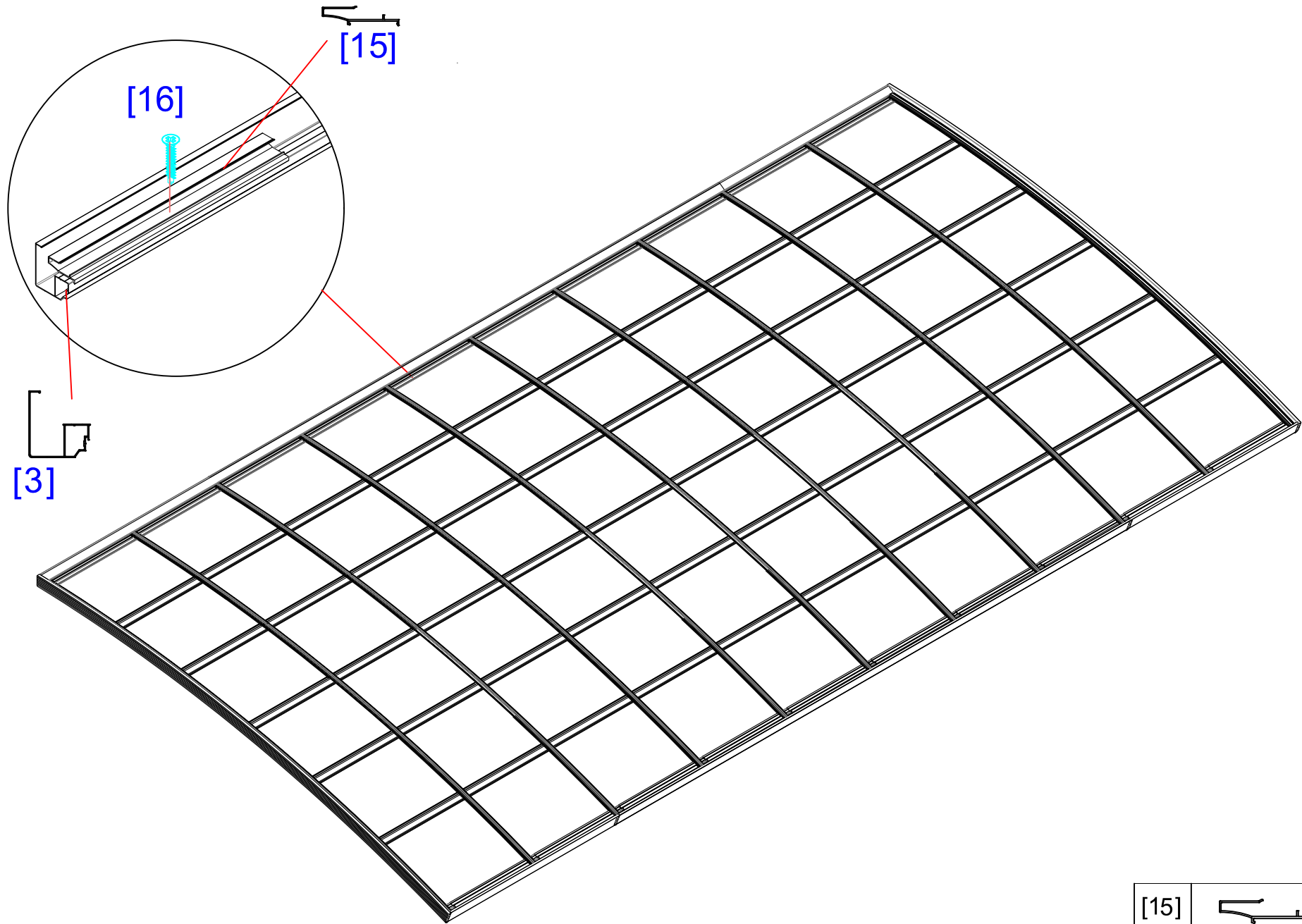


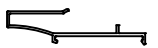

[10] has been inserted already

[7]		18
[10]		X
[16]		234

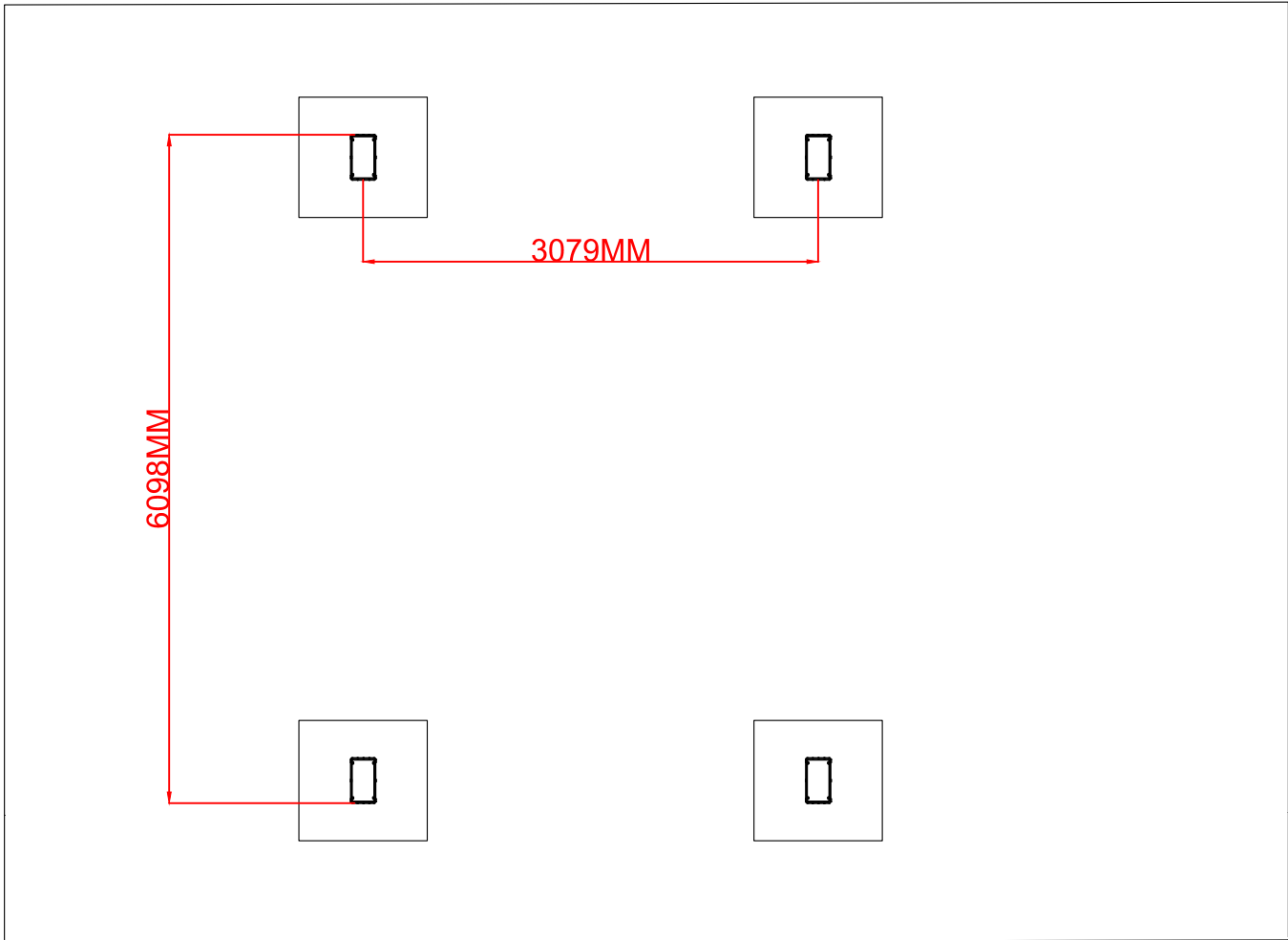


# STEP5: Install pc sheet channels.



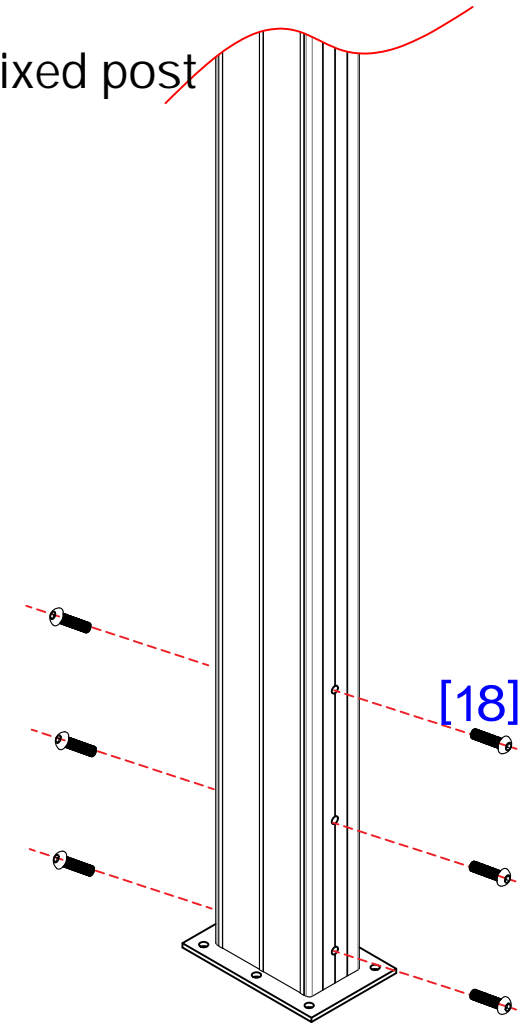
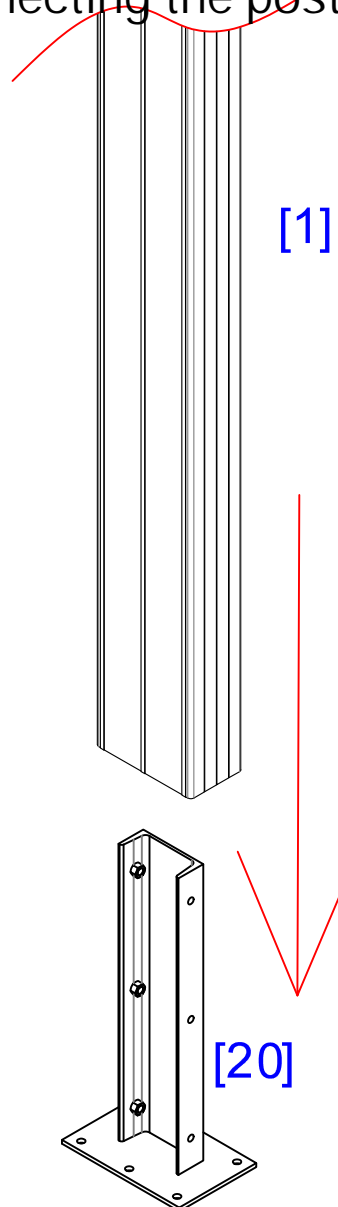
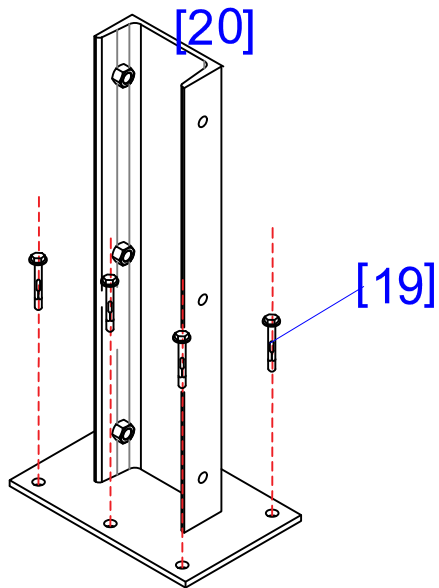
[15]		20
[16]	 M4 *16	20

STEP6: Install the 4 posts: determine the position of the posts and mark.



# 1, Recommend: Ground pin only on concrete surface.

Drill holes at the 4 fixed places according to the post base plate holes. Fixed post base plate using screw [22], and connecting the post.

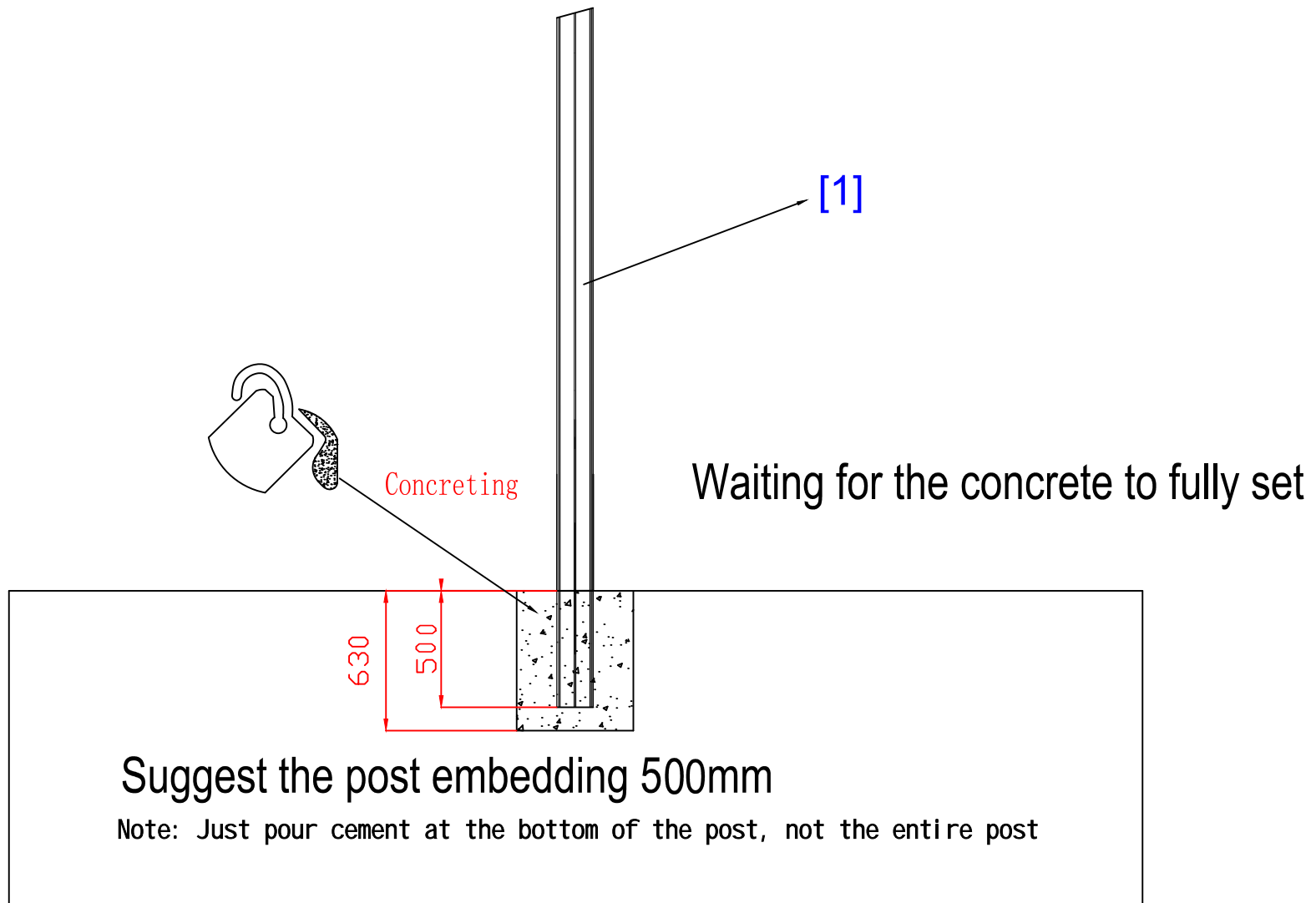


Drill holes on the post according to position of the base plate hole

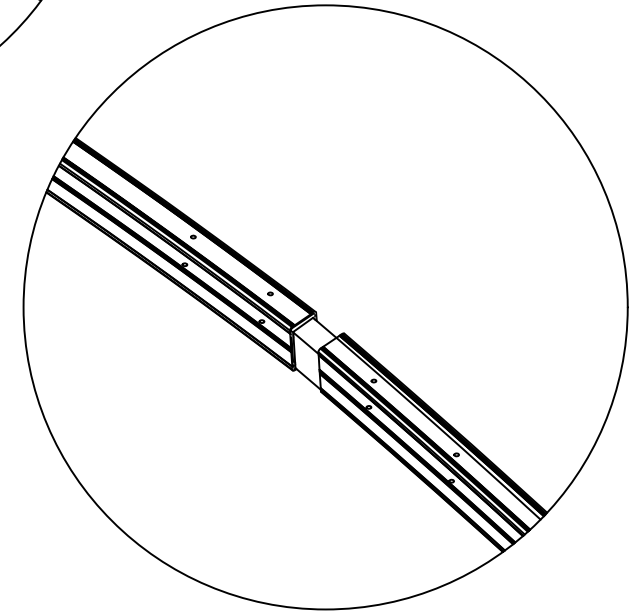
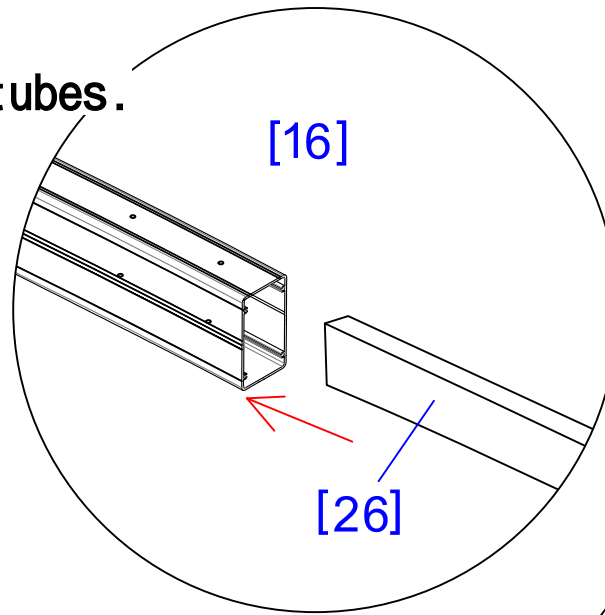
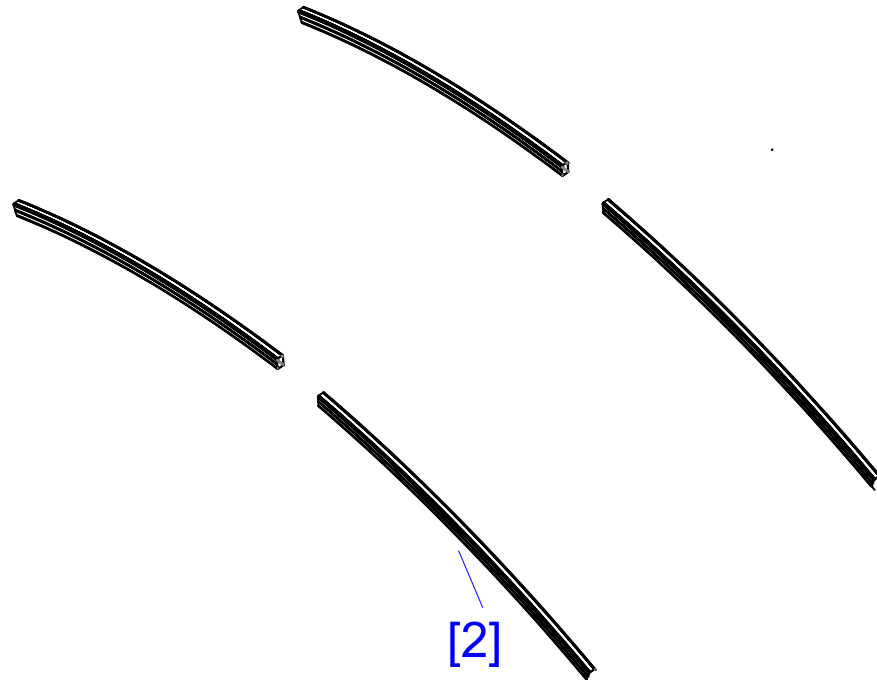
[1]		4
[20]		4
[19]		24
[18]	M10*25	24




## 2,Optional:Concrete installation ( if you choose ground pin installation, please ignor this page )

Dig 4 500\*500\*630mm pits at the 4 fixed places, place 4 posts in the middle of the pits.Then buried with wet concrete.

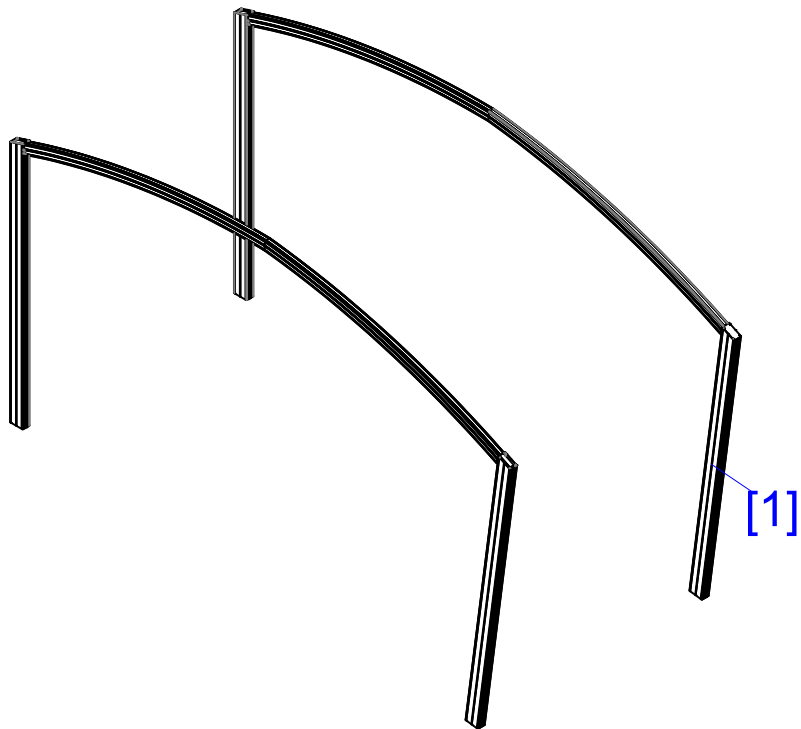
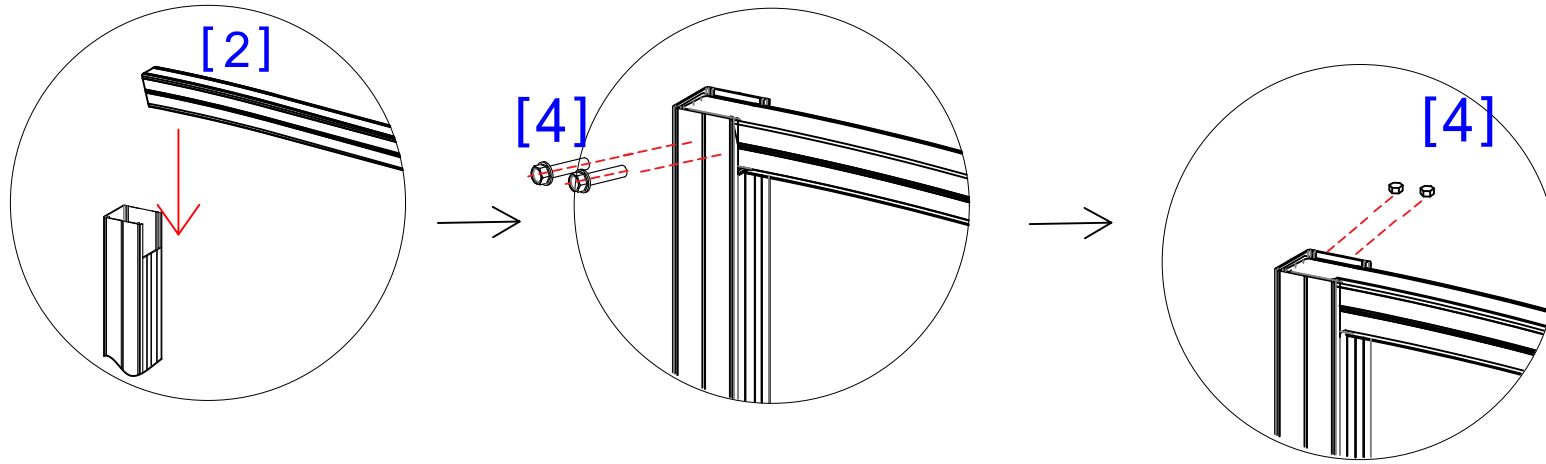





# STEP7:Assembling the bigger support tubes.



[2]		4
[26]		2
[16]	 M4 *16	24

Connect it to the post


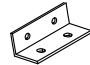


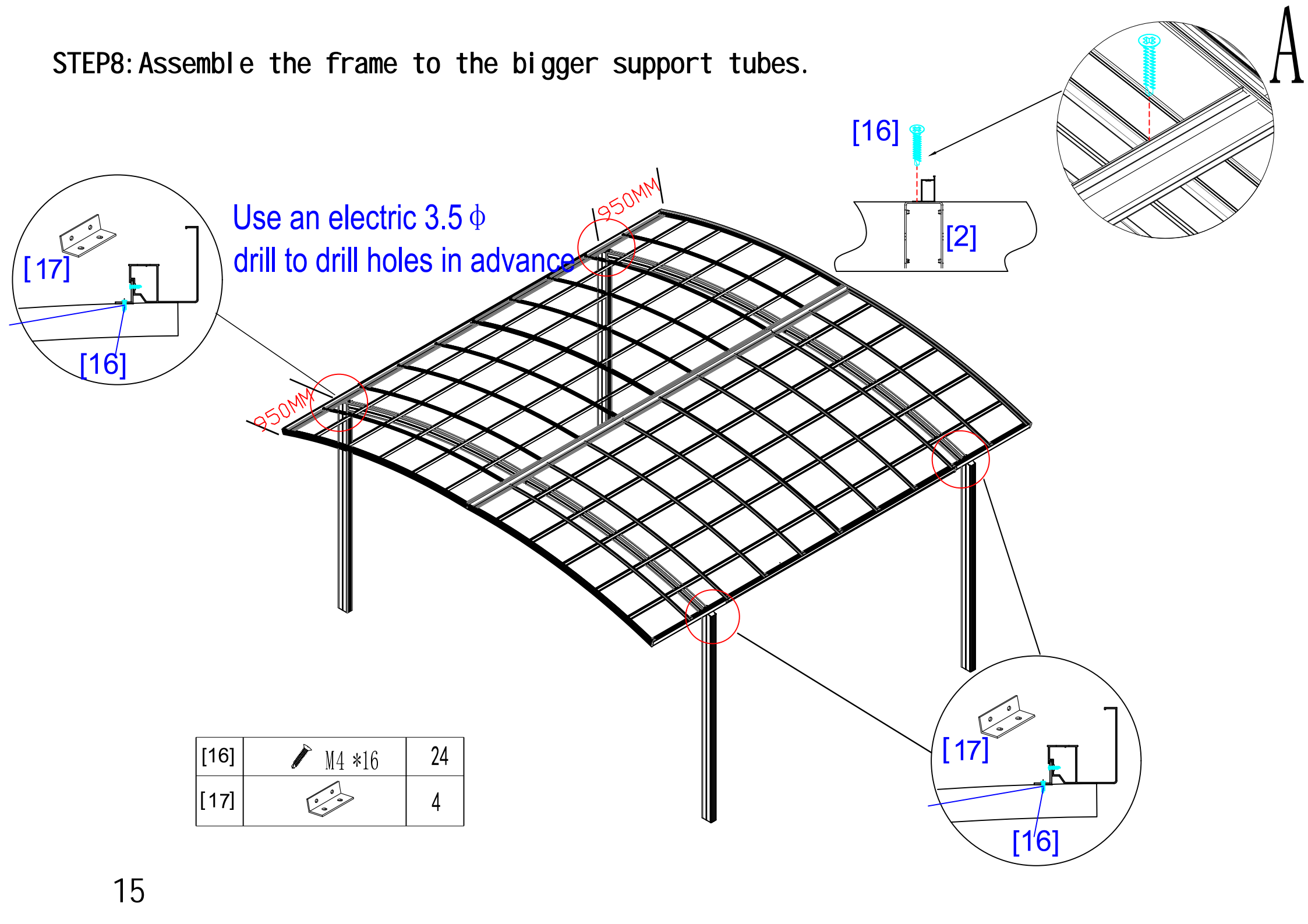
[1]		4
[2]		2
[4]	 M10*112	8

STEP8: Assemble the frame to the bigger support tubes.

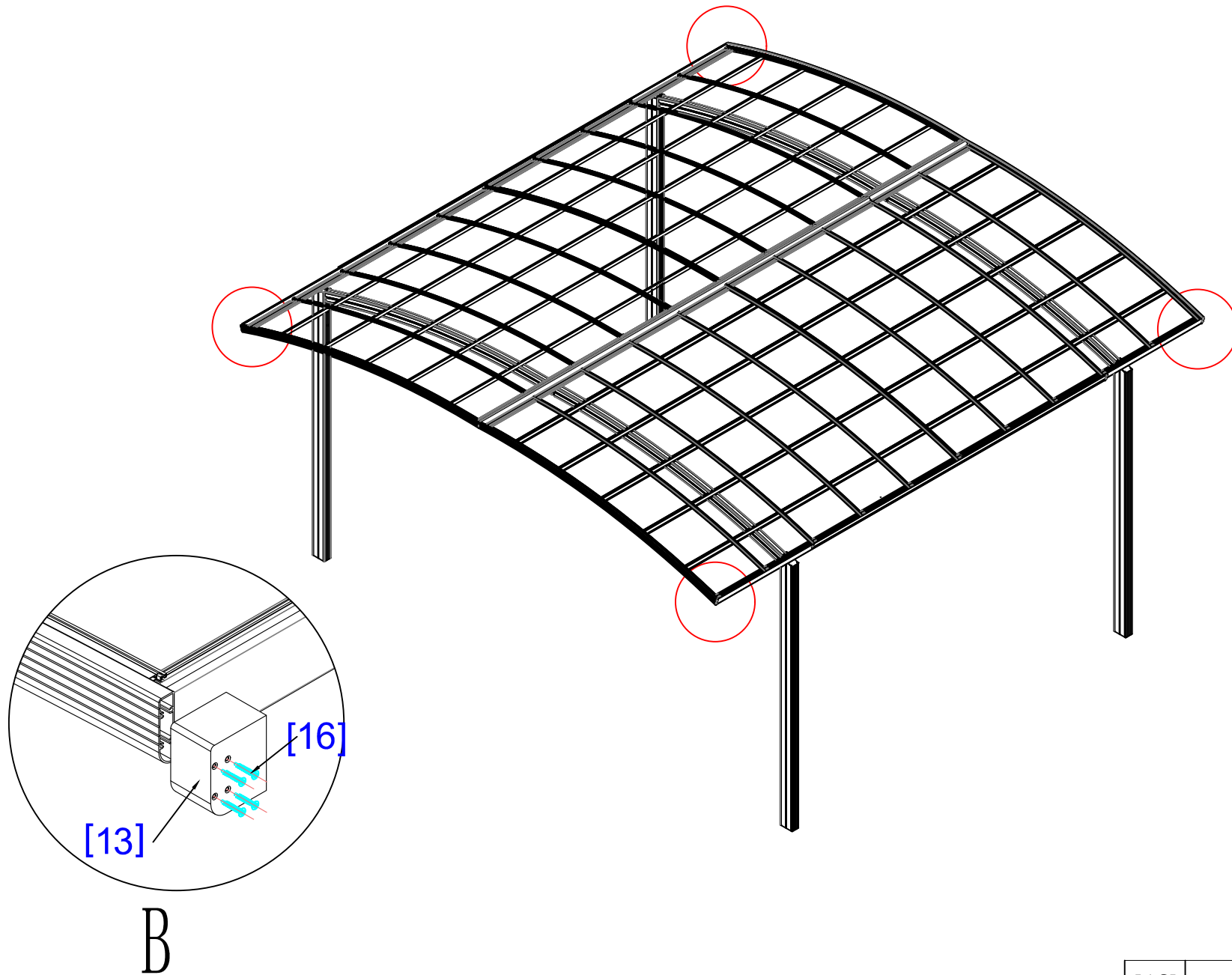
A



Use an electric 3.5  $\phi$   
drill to drill holes in advance

[16]	 M4 *16	24
[17]		4



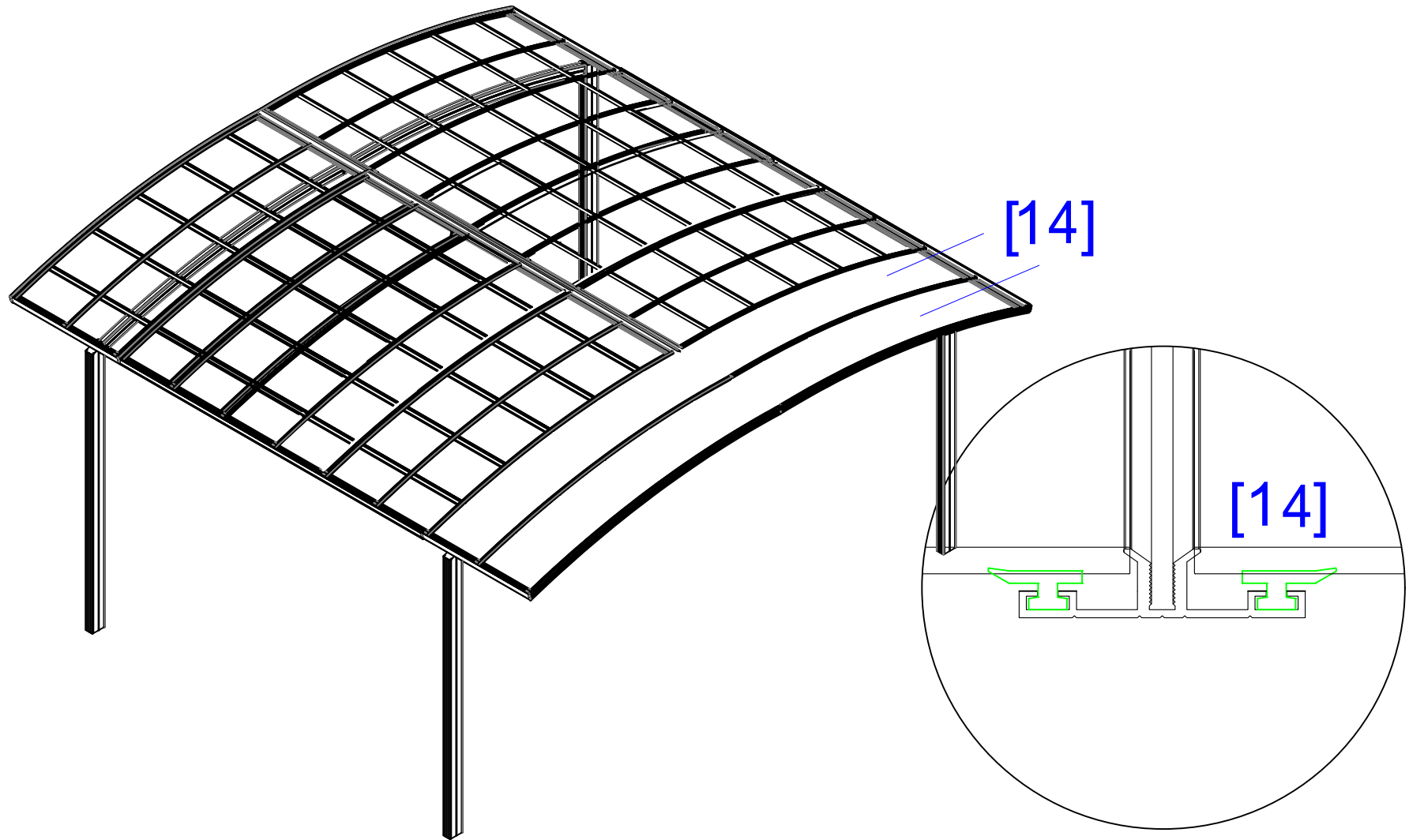
STEP9: Install I bigger support beam caps.



[13]		4
[16]	 M4 *16	16

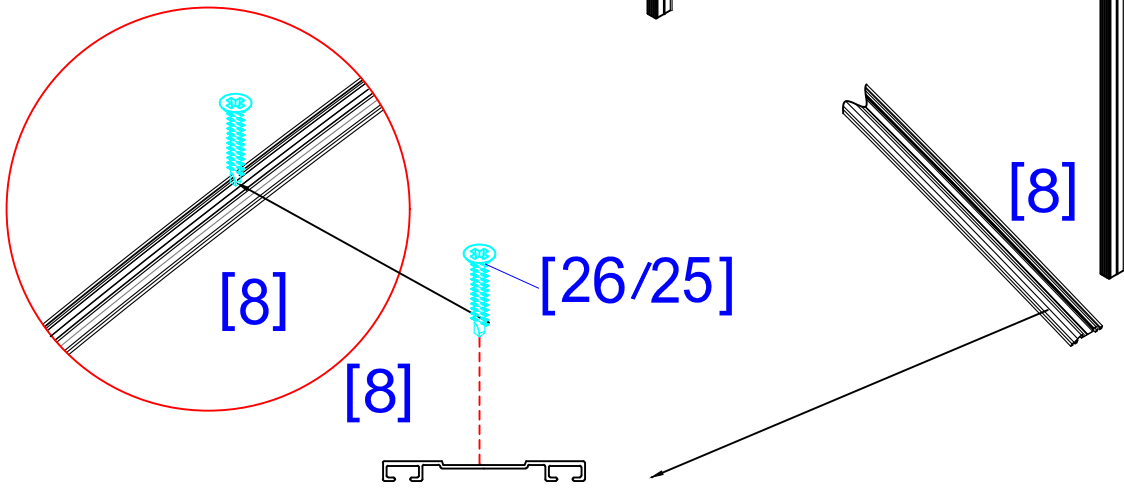
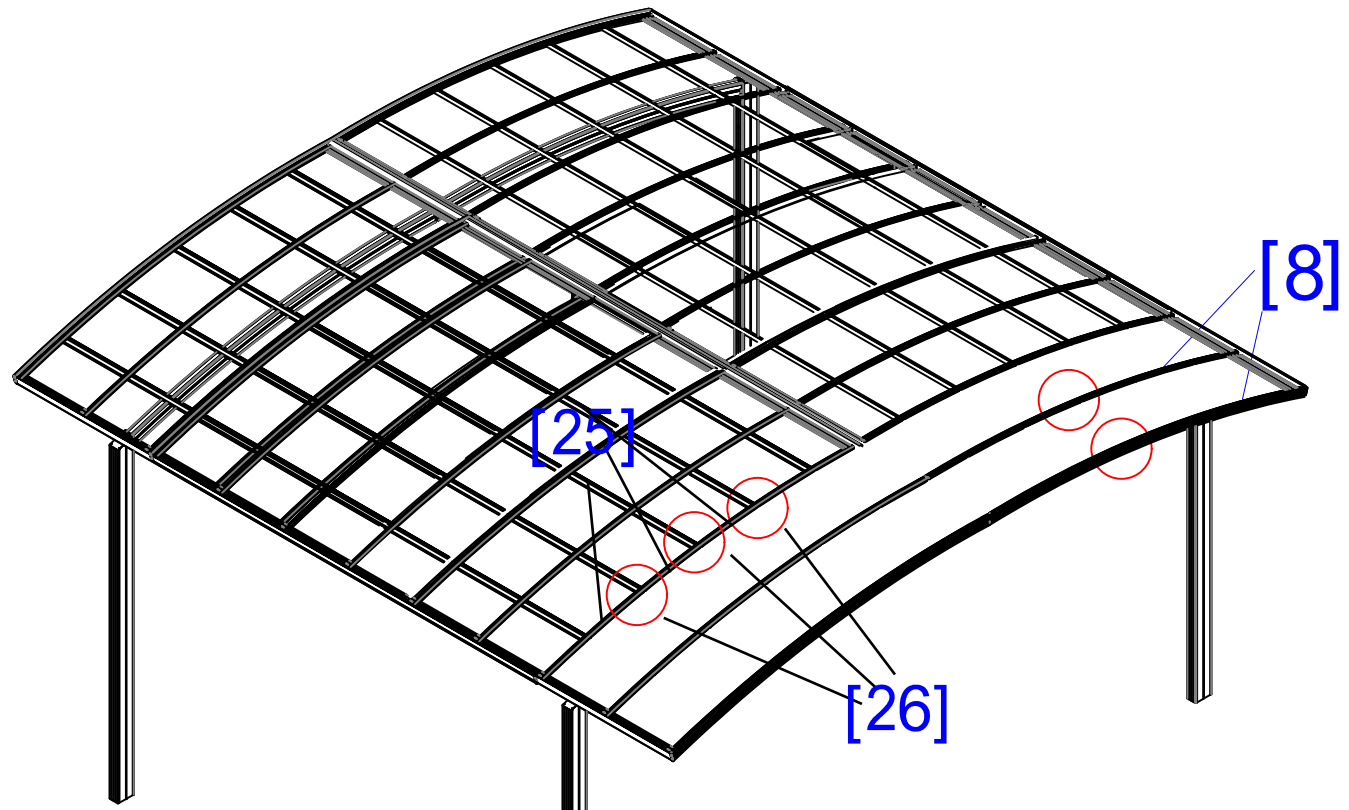





STEP10: Install solid PC sheets. (protection film with logo faces the sun.)

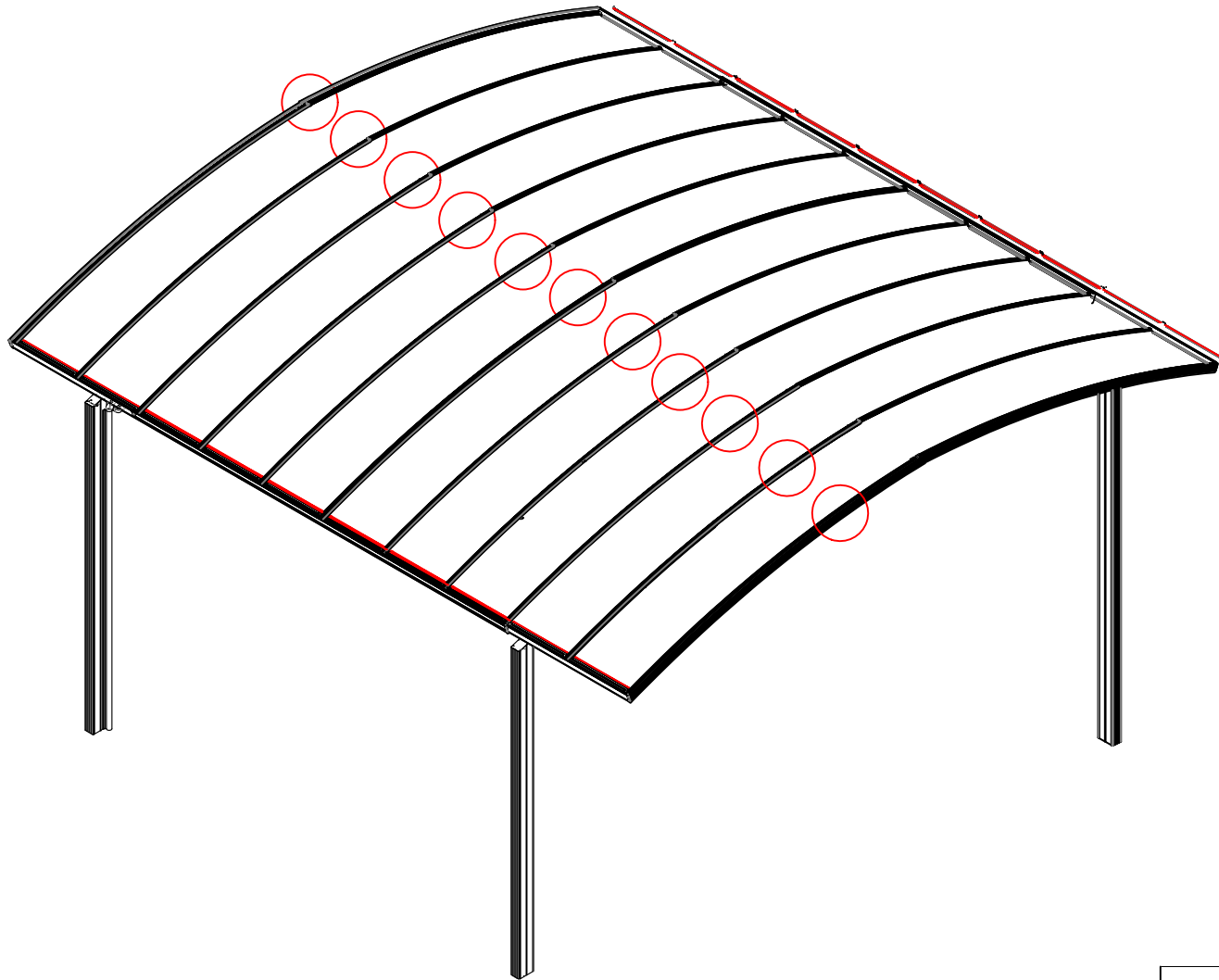


[14]	PC sheet	2
------	----------	---




STEP11: Install top cover strips, screw 25 and 26 are used interchangeably.



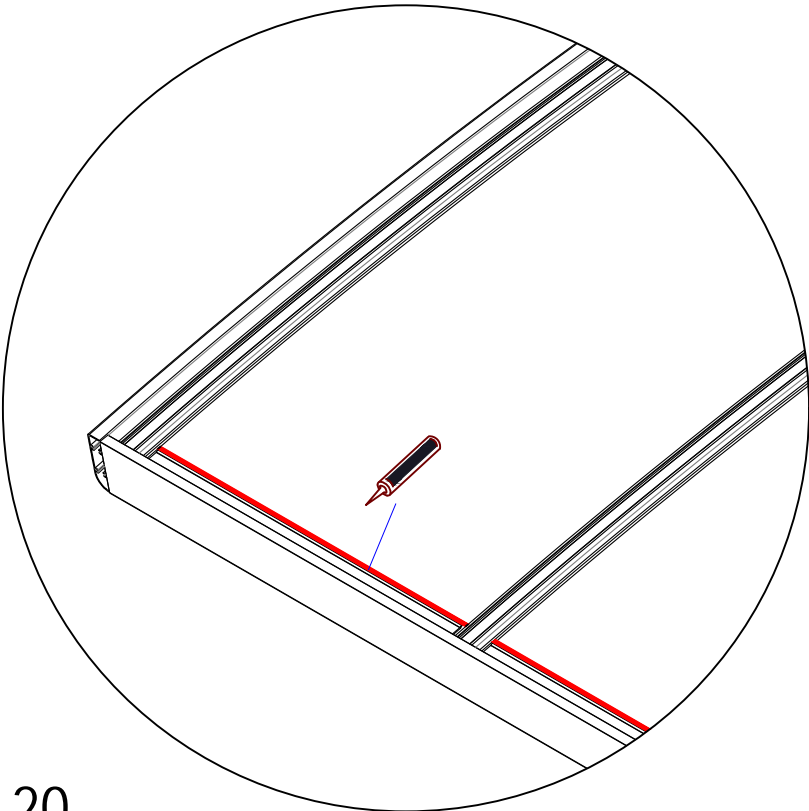
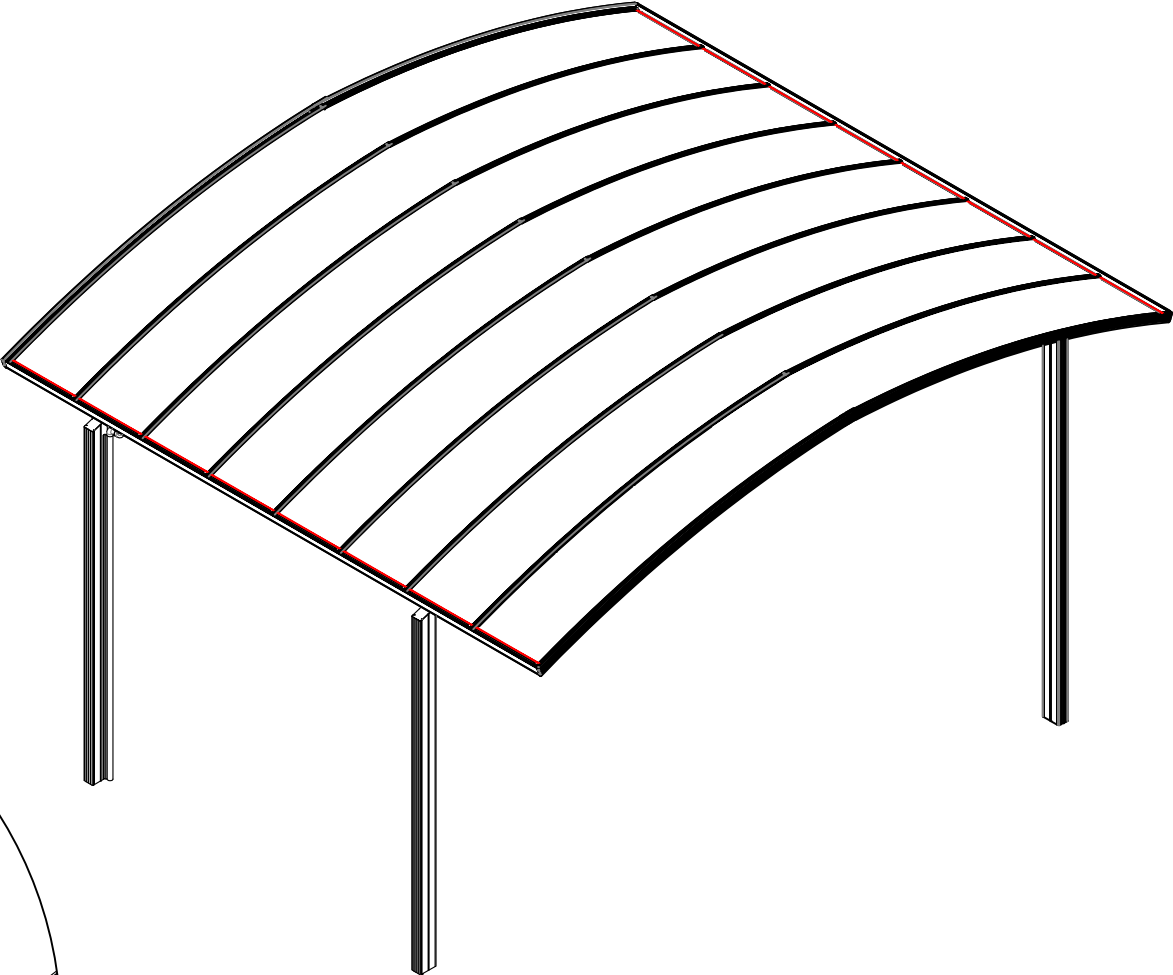
[8]		2
[25]	 M5*12	24
[26]	 M5*32	26



According to the previous method, install the solid pc board in sequence, and then install the cover linear

[14]	PC sheet	8
[8]		9
[25]	 M5*12	108
[26]	 M5*32	117

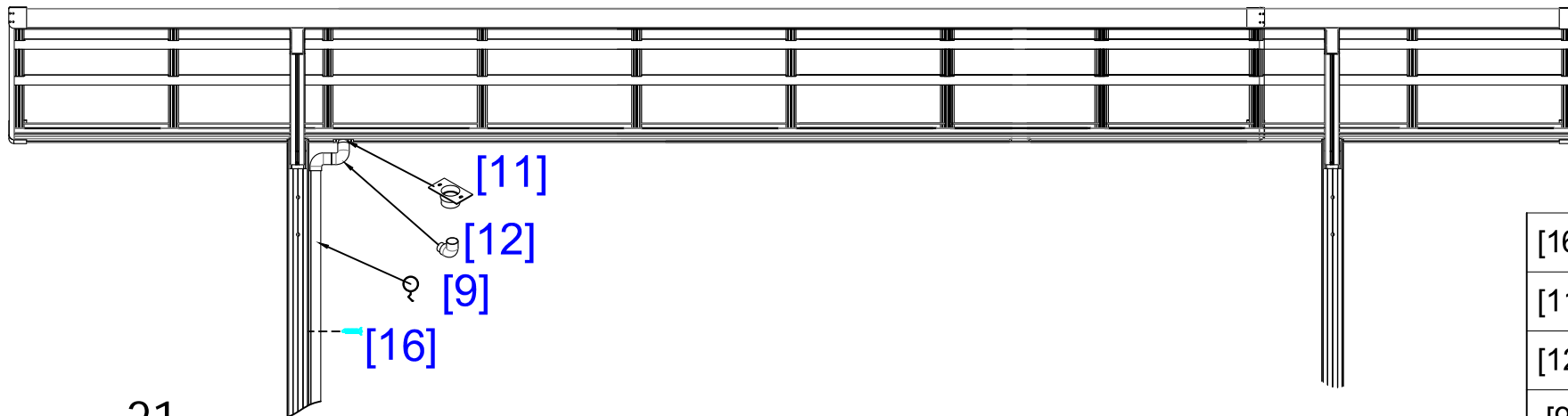
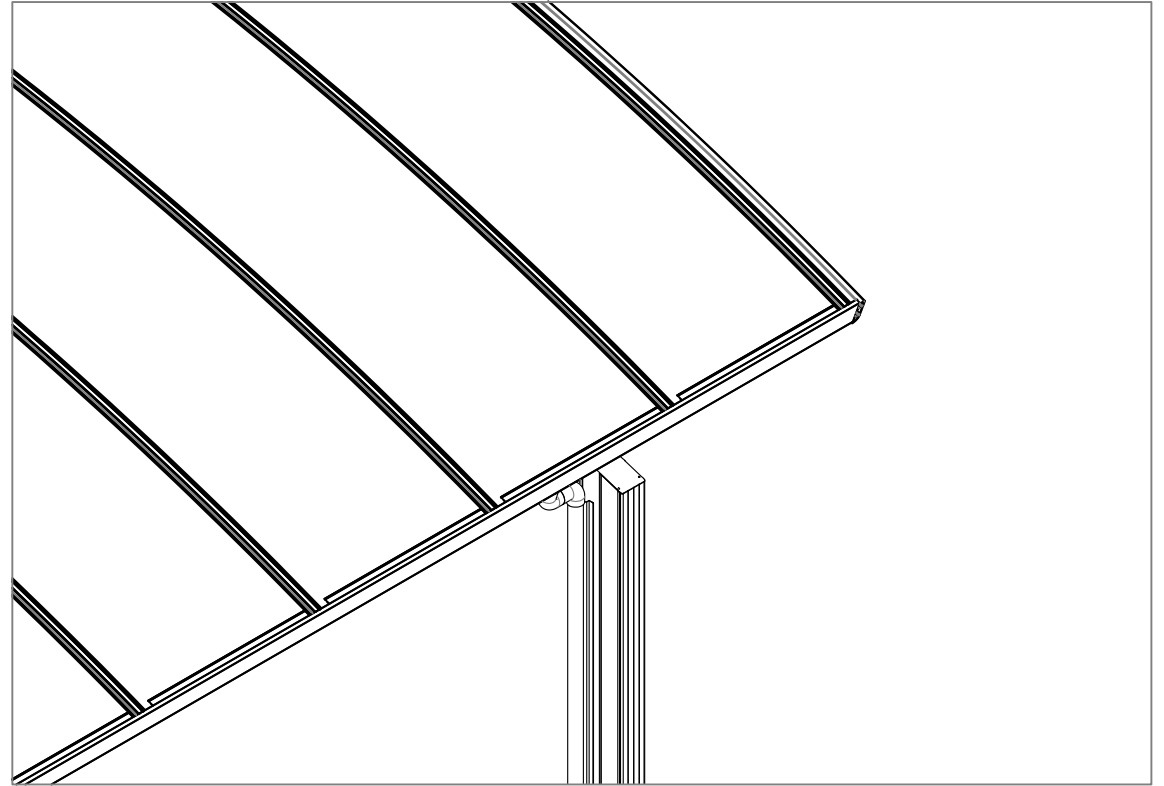
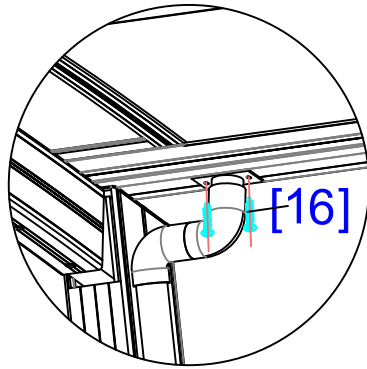
STEP12: Apply glue to avoid leak.







The use of glue is for better waterproofing



STEP13: Install 2 drainage tubes.



[16]	 M4 *16	10
[11]		2
[12]		4
[9]		2

